

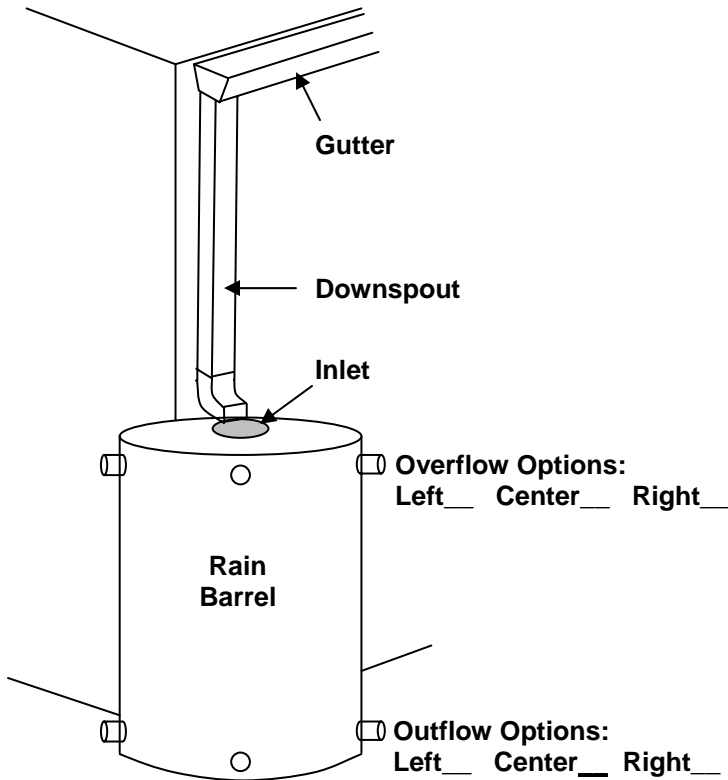


Rain Barrel Order Form

Name: _____
Address: _____
Phone: _____
Email: _____

Item	Quantity	Unit Price	Total
Assembled barrel Includes 55 gal. barrel with catch basket, overflow hose, and outlet hose with control valve		HRWA Members x \$50 Non-members x \$70	
Tandem barrels Includes two 55 gal. assembled rain barrels and a tandem kit		HRWA Members x \$100 Non-members x \$140	
		Total	

Your order will be assembled within two weeks of your request and payment, and can be picked up from our office. Please call ahead to arrange for pick up. If after two weeks you have not picked up your barrel, it will be restocked in inventory. The color of your barrel will be blue or white, depending on what our suppliers have available.



Please make checks payable to:
Herring Run Watershed Association

Send this form and payment to:
Herring Run Watershed Association
P.O. Box 24567
Baltimore, MD 21214

For Office Use Only	
Order Received	_____
Order filled	_____
Customer Called	_____
Picked Up	_____

If you have any questions, please call Ashley Traut or Darin Crew at 410-254-1577, or email us at atraut@herringrun.org or dcrew@herringrun.org